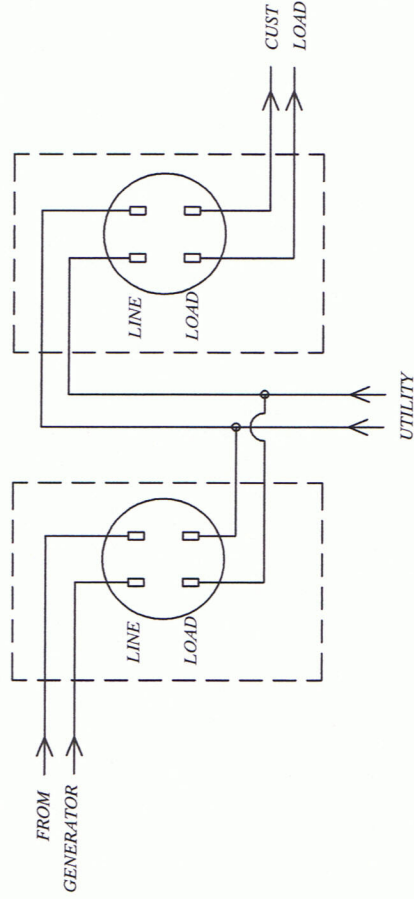




TIDELAND ELECTRIC MEMBERSHIP CORPORATION
SMALL RENEWABLE GENERATION
INTERCONNECTION WIRING DIAGRAM

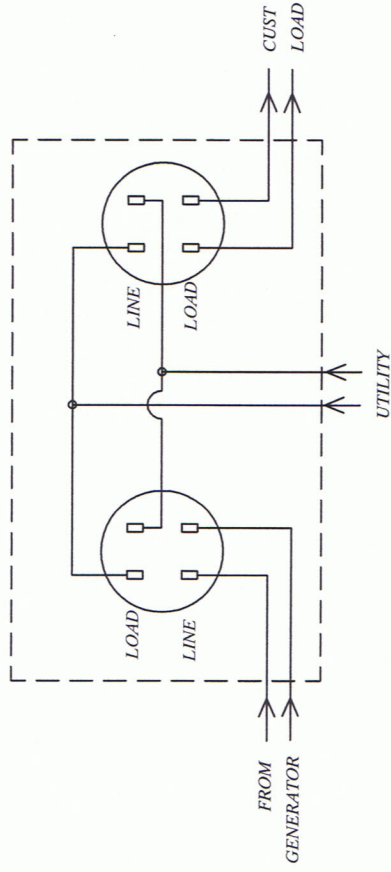
PREFERRED METHOD
USING 2 SEPARATE METER BASES



NEUTRAL OMITTED FOR CLARITY

OPTIONAL METHOD
USING ONE, 2 GANG METER BASE

NOTE: METER ON GENERATOR SIDE MUST
REGISTER REVERSE POWER FLOW



NEUTRAL OMITTED FOR CLARITY